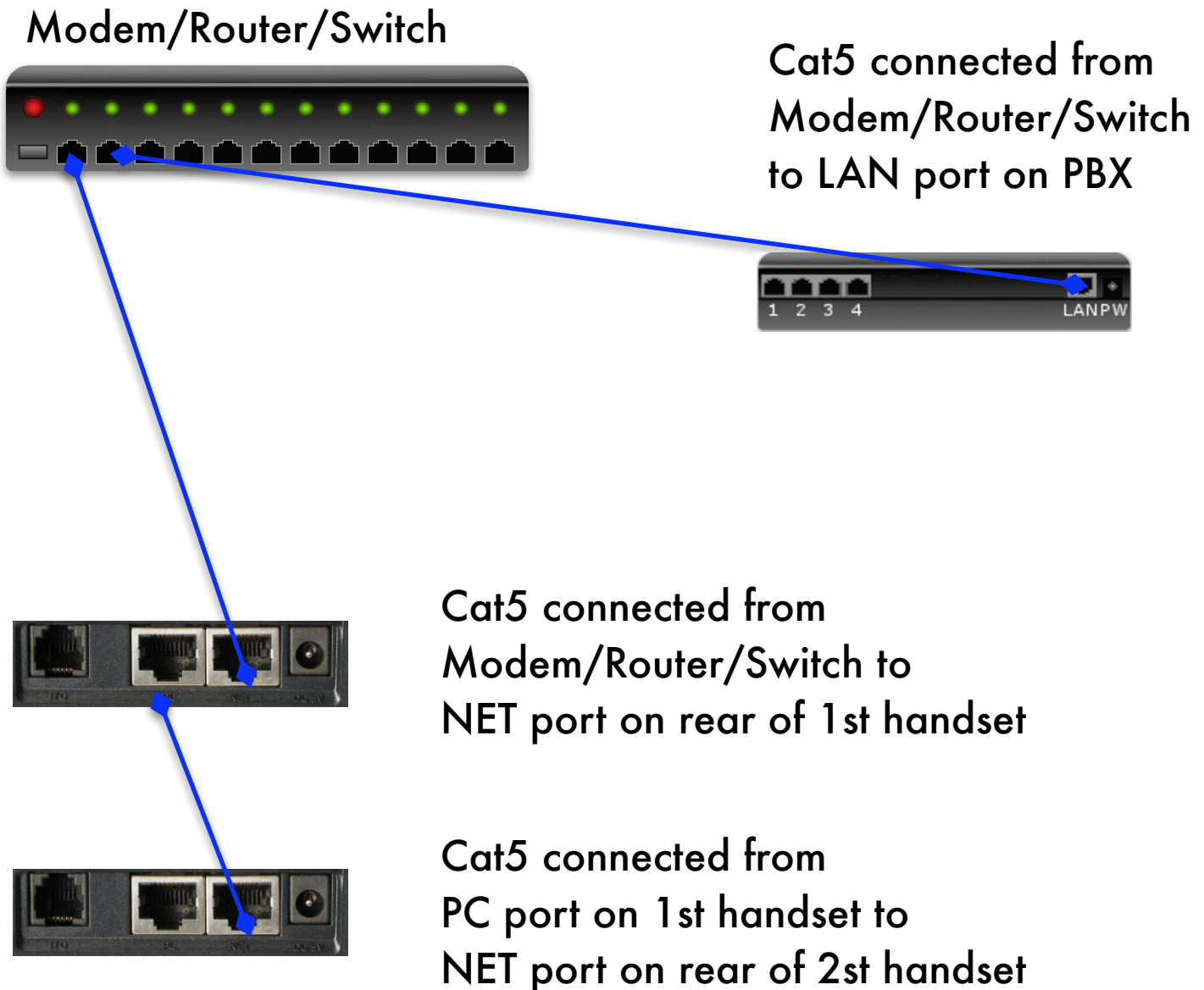


## Method 3 - Daisy Chain



### Note...

Depending on your model of handset the NET port may be alternatively labeled LAN, WAN or Internet

Each handset Kit is supplies with CAT5 Network cables to run from the Modem/Router/Switch to the PBX and from each handset.

If you find that the supplied cables are not long enough you may substitute any standard CAT5 cable available from DickSmith, Tandy, Jaycar, Harvey Norman etc.